

Texas Instruments

Terry Hayes, Products Publication Manager

Corel DESIGNER® helps the Documentation Team at Texas Instruments streamline its workflow

Texas Instruments Incorporated (TI) is a world leader in digital signal processing and analog technologies, the semiconductor engines of the Internet age. With more than 35,000 employees worldwide, it is a leader in the real-time technologies that help people communicate.

Terry Hayes is the Application Specific Products Publication Manager for one of the Technical Information Solutions teams at TI. His team is responsible for creating the documentation that supports the company's custom semiconductor product lines. The Technical Information Systems (TIS) organization includes four additional teams that produce a wide variety of documentation including product data sheets, user manuals, programming guides, application reports, and technical reference manuals.

“Corel DESIGNER was ideal for us because we needed a tool that would let us work with a single source file and output to multiple file formats. Complete with support of SVG, Technical Suite is definitely part of our long-term roadmap.”

— Terry Hayes, Texas Instruments

The Technical Information Solutions group at Texas Instruments has selected Corel DESIGNER to play a critical role in the development of its semiconductor documentation.

The TIS organization needed a tool that would integrate into the documentation workflow. The teams rely on a XML-based content management system



 TEXAS INSTRUMENTS

Technology for Innovators™

NAME:	Terry Hayes
OCCUPATION / PROFESSION:	Products Publication Manager
COMPANY:	Texas Instruments
LOCATION:	Dallas, Texas
INDUSTRY:	High Technology
PRODUCT:	CorelDRAW® Technical Suite (includes Corel DESIGNER®)

to publish, version, and repurpose product documentation. They needed a software package that could easily edit and convert graphics into the various file formats required for their publishing processes. Corel DESIGNER was the ideal tool to meet this requirement.

The TIS teams receive source graphics from the engineering teams and repurpose this information to create the company's semiconductor product documentation.

The source graphics arrive in a variety of formats including AutoCAD, Visio and WMF which need to be converted for use in both print and Web documents. The teams needed a tool that could be used to import a variety of graphic file formats, edit the graphics to bring them up to production standards, and then easily export the final files to EPS and GIF for print and Web publishing.

They also knew that in the future they will be standardizing on a single file format, SVG, to meet their



Texas Instruments

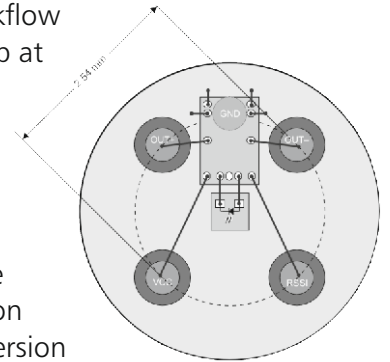
publishing needs. As a result, any solution the documentation team picked today must also support this powerful open standard graphics format.

“Corel DESIGNER was ideal for us because we needed a tool that would let us work with a single source file and output to multiple file formats. Complete with support of SVG, Technical Suite is definitely part of our long-term roadmap,” says Terry.

To support the TIS team's move to Corel DESIGNER as its standard graphics solution, Corel offered online product Webinars and sent members of its professional services group to provide on-site support and training for Texas Instruments employees. “Corel was really attentive and gave us great support here in the office to help us get our employees up to speed on the new software. For example, when the Corel trainer realized that there was a macro for Corel DESIGNER could help automate one of our processes, he sent it to me within an hour of leaving our offices. It's things like this that show we made the right decision to go with Corel DESIGNER Technical Suite [now CorelDRAW Technical Suite] that over any other software or vendor,” says Terry.

Corel DESIGNER is the right tool for the TIS group at Texas Instruments because it easily converts graphics to all the file formats they need for their publishing projects, including SVG. Now, the TIS group has streamlined its publishing processes and is taking better advantage of their content management system.

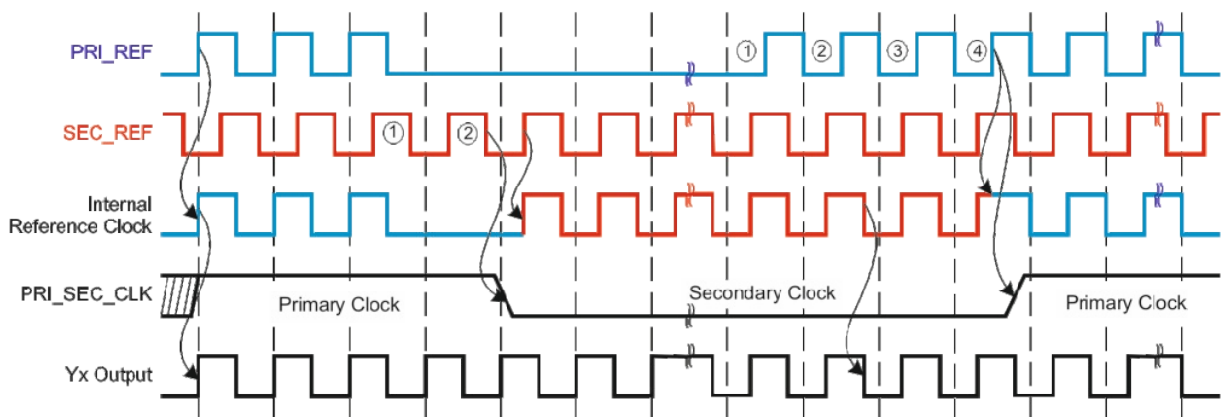
In addition to these workflow efficiencies, the TIS group at Texas Instruments has also enjoyed a reduction in their overall software licensing costs by standardizing on a single technical graphics solution that meets all their conversion needs. Terry says he and the TIS teams have been pleased with the entire process of working with Corel and selecting Corel DESIGNER.



“Of course, the affordable cost and export capabilities were definitely attractive to us. But as an added bonus, we've found Corel to be extremely flexible and easy to work with. In fact, we've really felt like we've had a true partner through this entire process.”

Learn More

To find out more about this product or any other CorelDRAW product, please visit www.coreldraw.com.



T0063-01



Corel Corporation
1600 Carling Ave.
Ottawa, ON
Canada K1Z 8R7

Corel UK Limited
400 Capability Green
Luton
Bedfordshire
LU1 3AE
United Kingdom

Corel GmbH
Erika-Mann-Str. 53 (Haus 7)
80636 München
Germany